

DATA SHEET

# OLI249: Radiation-Tolerant, Phototransistor Optocoupler for Hybrid Assembly

## Features

- Current transfer ratio (CTR) is:
  - Guaranteed over  $-55\text{ }^{\circ}\text{C}$  to  $+100\text{ }^{\circ}\text{C}$  ambient temperature range
  - High at low input current—200% at  $I_F = 2\text{ mA}$  over temperature
  - Comparable to Darlington output, but with low saturation  $V_{CE} = 0.15\text{ V}$  typical
- 1500 Vdc electrical isolation
- Small footprint for hybrid device
- More radiation tolerant than 4N49 (contact Isolink for more information)
- Similar to 4N4X type optocouplers
- High reliability and rugged construction
- Custom package is available (contact Isolink for more information)

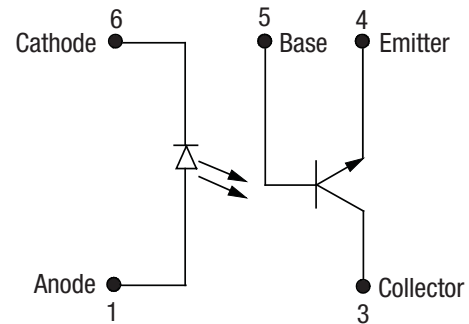
## Description

The OLI249 is designed especially for hybrid applications that require optical isolation with high CTR and low saturation  $V_{CE}$ . Each OLI249 consists of an LED and N-P-N silicon phototransistor that is mounted and coupled in a miniature custom ceramic package. The low input current makes the OLI249 well suited for direct Complementary Metal Oxide Semiconductor (CMOS) to Low Power Schottky Transistor-Transistor Logic (LSTTL)/ Transistor-to-Transistor Logic (TTL) interfaces.

Electrical parameters are similar to the JEDEC registered 4N49 optocoupler, but with better CTR degradation characteristics due to radiation exposure.

Device mounting is achieved by standard hybrid assembly with non-conductive epoxies. Gold or aluminum wire bonding can be used to make electrical connections for maximum placement flexibility.

Special electrical parametric selections are available upon request.



202467-001

Figure 1. OLI249 Block Diagram

Figure 1 shows the OLI249 functional block diagram. Table 1 provides the OLI249 absolute maximum ratings. Table 2 provides the OLI249 electrical specifications.

Figures 2 through 4 illustrate the OLI249 typical performance characteristics. Figure 5 shows the OLI249 switching test circuit. Figure 6 provides the OLI249 package dimensions.

**Table 1. OLI249 Absolute Maximum Ratings<sup>1</sup>**

Parameter	Symbol	Minimum	Maximum	Units
<b><i>Coupled</i></b>				
Input to output isolation voltage <sup>2</sup>	V <sub>DC</sub>	-1500	+1500	V
Storage temperature range	T <sub>STG</sub>	-65	+150	°C
Operating temperature range	T <sub>A</sub>	-55	+125	°C
Mounting temperature range (3 minutes maximum)	T <sub>MTG</sub>		240	°C
<b><i>Input Diode</i></b>				
Average input current	I <sub>DD</sub>		40	mA
Peak forward current (≤1 ms duration)	I <sub>F</sub>		60	mA
Reverse voltage	V <sub>R</sub>		3	V
Power dissipation	P <sub>D</sub>		70	mW
<b><i>Output Detector</i></b>				
Collector to emitter voltage	V <sub>CE</sub>		40	V
Emitter to collector voltage	V <sub>EC</sub>		7	V
Collector to base voltage	V <sub>CB</sub>		45	V
Power dissipation <sup>3</sup>	P <sub>D</sub>		200	mW

<sup>1</sup> Exposure to maximum rating conditions for extended periods may reduce device reliability. There is no damage to the device with only one parameter set at the limit and all other parameters set at or below their nominal value. Exceeding any of the limits listed in the above table may result in permanent damage to the device.

<sup>2</sup> Measured between pins 1 and 6 shorted together, and pins 2, 3, 4, and 5 shorted together. T<sub>A</sub> = 25 °C and duration = 1 s.

<sup>3</sup> Value applies for P<sub>w</sub> ≤ 1 ms, PRR ≤ 300 pps.

---

**ESD HANDLING:** *Although this device is designed to be as robust as possible, electrostatic discharge (ESD) can damage this device. This device must be protected at all times from ESD when handling or transporting. Static charges may easily produce potentials of several kilovolts on the human body or equipment, which can discharge without detection. Industry-standard ESD handling precautions should be used at all times.*

---

**Table 2. OLI249 Electrical Specifications<sup>1</sup>**  
**(T<sub>A</sub> = 25 °C, Unless Otherwise Noted)**

Parameter	Symbol	Test Condition	Minimum	Maximum	Units
On-state:					
Collector current	I <sub>CC(ON)</sub>	I <sub>F</sub> = 1.0 mA, V <sub>CE</sub> = 5.0 V	2.0	12.0	mA
		I <sub>F</sub> = +2.0 mA, V <sub>CE</sub> = +5.0 V, T <sub>A</sub> = -55 °C	2.8		mA
Collector base current	I <sub>CCB(ON)</sub>	I <sub>F</sub> = 2 mA, V <sub>CE</sub> = 5 V, T <sub>A</sub> = 100 °C	2		mA
		I <sub>F</sub> = 10 mA, V <sub>CB</sub> = 5 V	30		μA
Saturation voltage	V <sub>CE_SAT</sub>	I <sub>F</sub> = 2.0 mA, I <sub>C</sub> = 2.0 mA		0.3	V
Breakdown voltage:					
Collector to emitter	BV <sub>CEO</sub>	I <sub>CE</sub> = 1 mA	40		V
Collector to base	BV <sub>CBO</sub>	I <sub>CB</sub> = 100 μA	45		V
Emitter to base	BV <sub>EBO</sub>	I <sub>EB</sub> = 100 μA	7		V
Off-state leakage current:					
Collector to emitter	I <sub>CE(OFF)</sub>	V <sub>CE</sub> = 20 V		100	nA
		V <sub>CE</sub> = 20 V, T <sub>A</sub> = 100 °C		100	μA
Collector to base	I <sub>CB(OFF)</sub>	V <sub>CB</sub> = 20 V		10	nA
Input:					
Forward voltage	V <sub>F</sub>	I <sub>F</sub> = +10.0 mA, T <sub>A</sub> = -55 °C	1.4	2.0	V
		I <sub>F</sub> = 10.0 mA	1.2	1.8	V
		I <sub>F</sub> = 10.0 mA, T <sub>A</sub> = 100 °C	1.1	1.7	V
Reverse current	I <sub>R</sub>	V <sub>R</sub> = 2 V		100	μA
Output resistance <sup>2</sup>	R <sub>L_0</sub>	V <sub>L_0</sub> = ±1000 V <sub>DC</sub>	10 <sup>11</sup>		Ω
Output capacitance <sup>2</sup>	C <sub>L_0</sub>	V <sub>L_0</sub> = 0 V, f = 1 MHz		5	pF
Time:					
Rise	t <sub>r</sub>	V <sub>CC</sub> = 10 V, R <sub>L</sub> = 100 Ω		25	μs
Fall	t <sub>f</sub>	I <sub>C</sub> = 5 mA		25	μs

<sup>1</sup> Performance is guaranteed only under the conditions listed in the above table.

<sup>2</sup> Measured between pins 1 and 6 shorted together, and pins 2, 3, 4, and 5 shorted together. T<sub>A</sub> = 25 °C and duration = 1 s.

### Typical Performance Characteristics

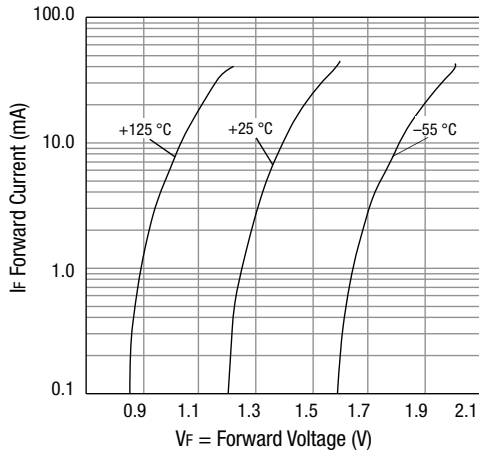


Figure 2. Forward Current vs Diode Forward Voltage

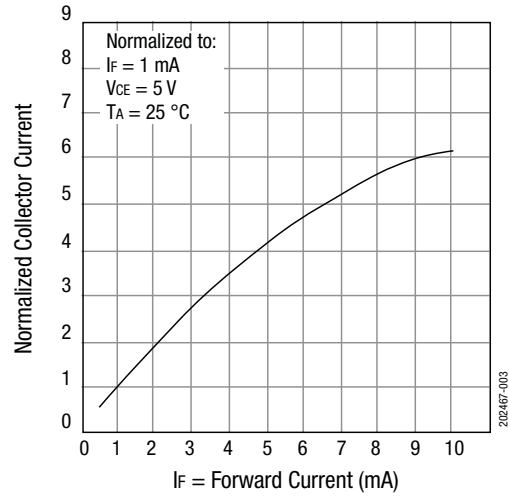


Figure 3. Normalized Collector Current vs Forward Current

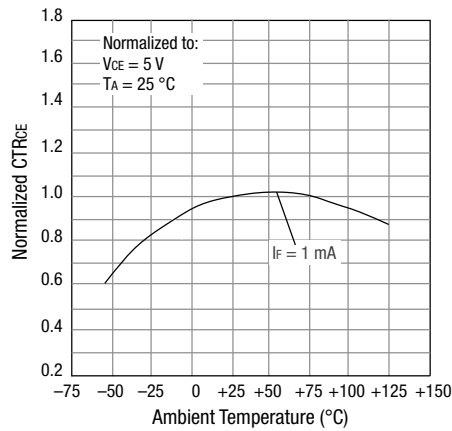
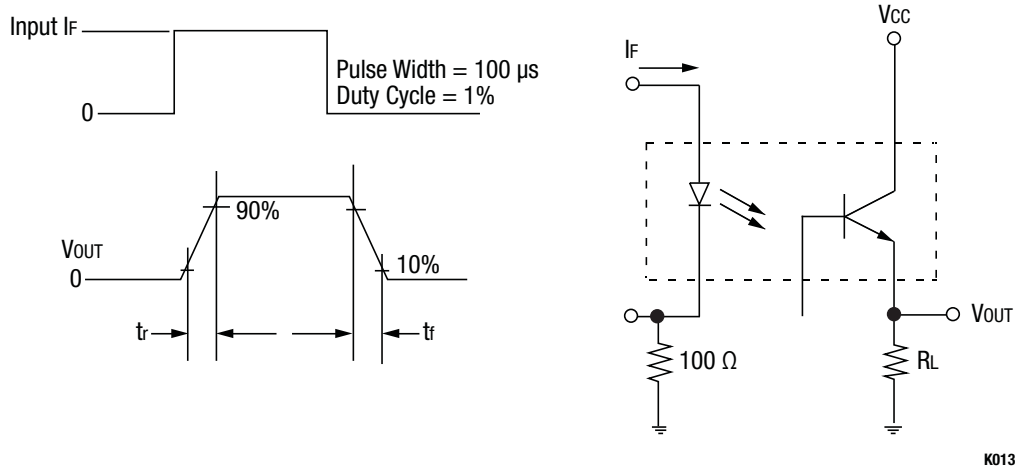
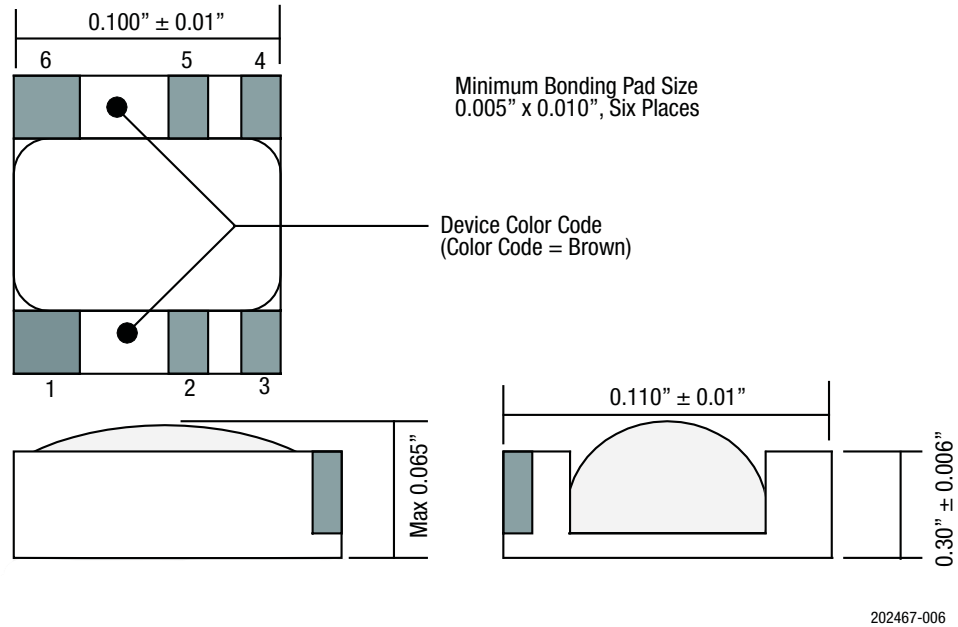


Figure 4. Normalized CTRCE vs Temperature



K013

Figure 5. OLI249 Switching Test Circuit



202467-006

Figure 6. OLI249 Package Dimensions

## Ordering Information

Model Name	Manufacturing Part Number
OLI249: Radiation-Tolerant, Phototransistor Optocoupler for Hybrid Assembly	OLI249

Copyright © 2012-2017 Isolink, Inc. All Rights Reserved.

Information in this document is provided in connection with Isolink, Inc. ("Isolink"), a wholly-owned subsidiary of Skyworks Solutions, Inc. These materials, including the information contained herein, are provided by Isolink as a service to its customers and may be used for informational purposes only by the customer. Isolink assumes no responsibility for errors or omissions in these materials or the information contained herein. Isolink may change its documentation, products, services, specifications or product descriptions at any time, without notice. Isolink makes no commitment to update the materials or information and shall have no responsibility whatsoever for conflicts, incompatibilities, or other difficulties arising from any future changes.

No license, whether express, implied, by estoppel or otherwise, is granted to any intellectual property rights by this document. Isolink assumes no liability for any materials, products or information provided hereunder, including the sale, distribution, reproduction or use of Isolink products, information or materials, except as may be provided in Isolink Terms and Conditions of Sale.

THE MATERIALS, PRODUCTS AND INFORMATION ARE PROVIDED "AS IS" WITHOUT WARRANTY OF ANY KIND, WHETHER EXPRESS, IMPLIED, STATUTORY, OR OTHERWISE, INCLUDING FITNESS FOR A PARTICULAR PURPOSE OR USE, MERCHANTABILITY, PERFORMANCE, QUALITY OR NON-INFRINGEMENT OF ANY INTELLECTUAL PROPERTY RIGHT; ALL SUCH WARRANTIES ARE HEREBY EXPRESSLY DISCLAIMED. ISOLINK DOES NOT WARRANT THE ACCURACY OR COMPLETENESS OF THE INFORMATION, TEXT, GRAPHICS OR OTHER ITEMS CONTAINED WITHIN THESE MATERIALS. ISOLINK SHALL NOT BE LIABLE FOR ANY DAMAGES, INCLUDING BUT NOT LIMITED TO ANY SPECIAL, INDIRECT, INCIDENTAL, STATUTORY, OR CONSEQUENTIAL DAMAGES, INCLUDING WITHOUT LIMITATION, LOST REVENUES OR LOST PROFITS THAT MAY RESULT FROM THE USE OF THE MATERIALS OR INFORMATION, WHETHER OR NOT THE RECIPIENT OF MATERIALS HAS BEEN ADVISED OF THE POSSIBILITY OF SUCH DAMAGE.

Customers are responsible for their products and applications using Isolink products, which may deviate from published specifications as a result of design defects, errors, or operation of products outside of published parameters or design specifications. Customers should include design and operating safeguards to minimize these and other risks. Isolink assumes no liability for applications assistance, customer product design, or damage to any equipment resulting from the use of Isolink products outside of stated published specifications or parameters.

Isolink is a trademark of Isolink Inc. in the United States and other countries. Skyworks and the Skyworks symbol are trademarks or registered trademarks of Skyworks Solutions, Inc., in the United States and other countries. Third-party brands and names are for identification purposes only, and are the property of their respective owners.